

Installation guidelines and operational manual



Contents

1. Product purpose.....	4
2. Delivery set.....	4
3. Basic specifications	5
4. Product design	6
5. Transportation and storage	7
6. Safety requirements.....	8
7. Installation of swing gate	9
7.1. Required equipment	9
7.2. Installation of swing gate	9
8. Operation of swing gate	11

1. Product purpose

Swing gate with magnetic release is used as a barrier and designed for the rapid release of the passageway in case of emergency.

2. Delivery set

Table 1. Delivery set

Item	Qty, pcs.
K-12 swing gate with magnetic release	1
Installation guidelines and manual	1
Datasheet	1
Magnetic key	1
SORMAT PFGES10 (M10/60) anchor *	3
M10x50 DIN7991 hexagon screw *	3

*- optional

3. Basic specifications

Table 2. Basic specifications

Specification	Value
Dimensions (WxHxL), mm depending on passage width	
600	724x145x1000
800	924x145x1000
1000	1124x145x1000
1200	1324x145x1000
Weight, kg *	from 11,0 to 13,0
Temperature range, °C:	
- operation	+1...+40
- transportation and storage	+1...+40
Atmosphere relative humidity, no more than %	80
Lifetime, years	8

* - depends on arm length

The manufacturer reserves the right to change the packaging, specifications and appearance without notice

4. Product design

All components of the gate (Fig. 1) are made of brushed stainless steel. The arm is attached to the stand with the use of mounting screws. Stand rotates in relation to the stationary base mounted to the floor. Floor fixation is concealed by base cover.

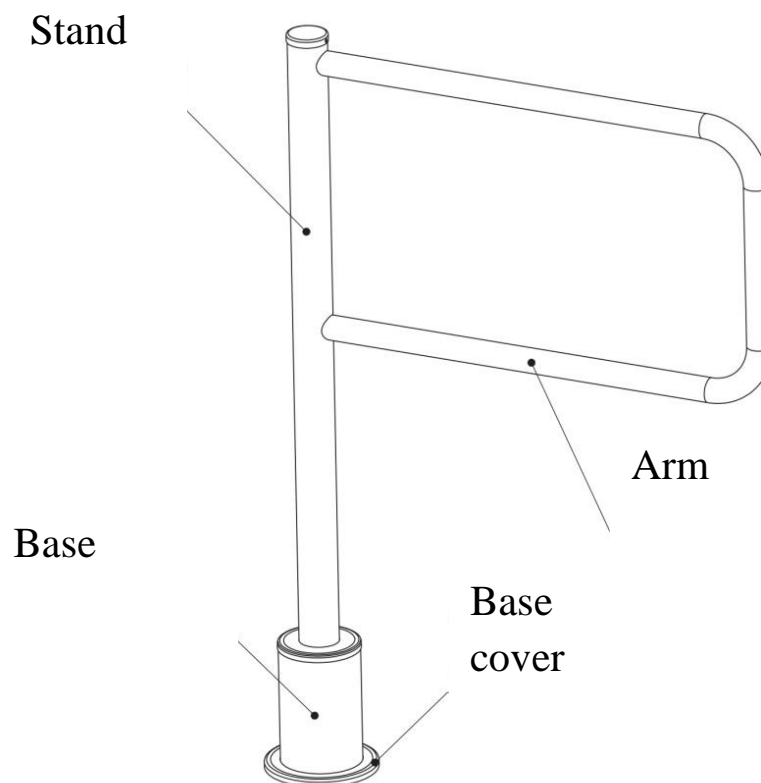


Fig. 1 General view

It is possible to install arms of different lengths to form the passage of 600, 800, 1000 and 1200 mm width. Fig. 2 shows the dimensions of the gate with 600 mm passage width.

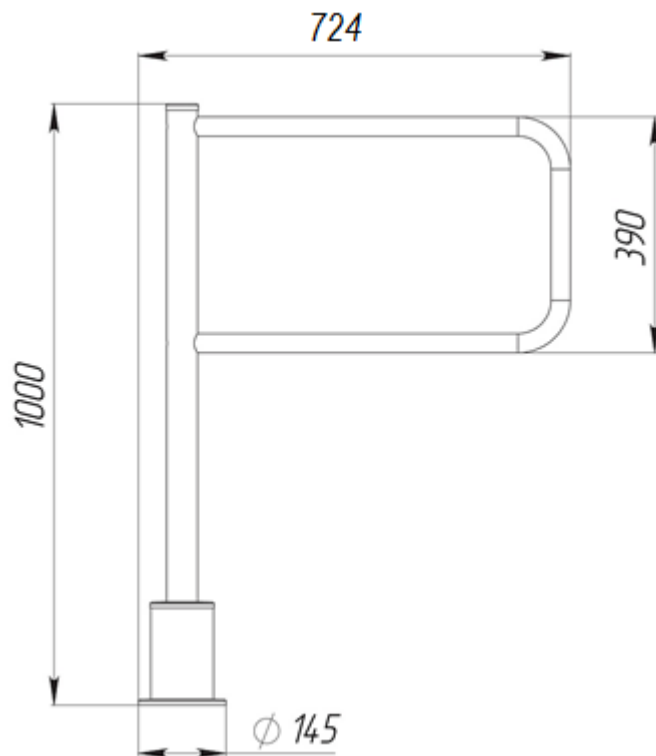


Fig. 2 Dimensions of the gate

Magnetic key is used for gate unlocking.

5. Transportation and storage

Gate in its original packaging can be transported by air, covered by road and rail with protection from direct exposure to rain and dust without limitation range. Allow to stack boxes in 4 rows during transportation and storage if Euro pallets are used. Keep the gate in dry (no moisture condensation) heated places at temperatures within +1 to + 40 °C temperature range. Avoid vapors of acids, alkalis, and corrosive gases at the storage place. Storage of turnstile in the original package in a dry unheated premises or closed transport containers is permitted for short periods, no more than 3 days.

K-12 swing gate with magnetic release

6. Safety requirements

CAUTION! Failure to comply with the safety requirements specified in this section may result in damage to human life and health, total or partial loss of workability of products and (or) auxiliary equipment.

CAUTION! The producer disclaims any liability for damage to human life and health, total or partial loss of workability of products and (or) auxiliary equipment for non-compliance of the safety requirements specified in this section, as well as terminate the product warranty.

IT IS NOT ALLOWED TO:

- Set the gate other than in dry and heated places;
- Apply chemically aggressive cleaning detergents (as pastes and liquids) to the materials of the housing.

7. Installation of swing gate

CAUTION: The gate should be installed securely to avoid swinging and (or) overthrow during operation. In case of installation on the low strength floors - take action to strengthen the floor at the installation site.

Before checking operability of the gate carefully read this section of the Guidelines.

7.1. Required equipment

Tools used for gate mounting:

- electric perforator
- 16mm diameter carbide drill for drilling holes in the floor for anchors (recommended anchor - SORMATPFGES10 (M10/60))
- S6 hexagon wrench
- crosshead screwdriver
- plumb line or level;
- steel liner to align the gate

7.2. Installation of swing gate

CAUTION! We recommend you to mark the mounting holes corresponding to flange holes when the arm is already installed.

7.2.1. Prepare a horizontal surface at the installation site of gate.

7.2.2. Open the box, unpack the product and check for completeness.

K-12 swing gate with magnetic release

7.2.3. Install the arm of the gate with a set of screws. Make sure that the arm is securely attached to the stand.

7.2.4. Follow the layout and drill 3 holes of 16 mm diameter in the floor for anchors. Depth of the hole should exceed the length of the anchor for more than 5mm. Put the anchors into the holes.

7.2.5. Set the stand on prepared area (Fig. 3).

7.2.6. Align together the holes in the gate's base and anchors in the floor. Check the vertical installation in 2 planes, if necessary, use appropriate steel underlayers for proper installation of the gate. Fix the stand with three M10 screws, tightening them to corresponding anchors by using S6 hexagon wrench.

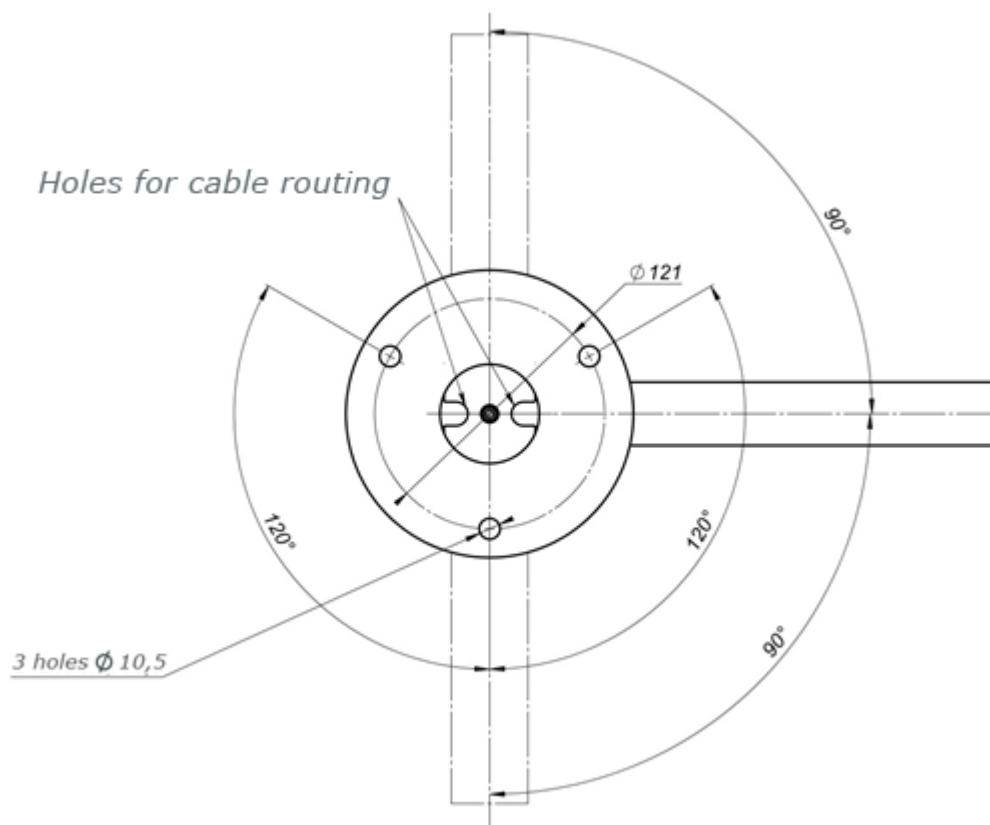


Fig. 3 Linkage dimension

8. Operation of swing gate

The gate is unlocked with a magnetic key.

In order to unlock the gate put the magnetic key (1, Fig. 4) on the top of the stand (2, Fig. 4) as indicated on the picture and manually rotate the arm in the right (left) direction.

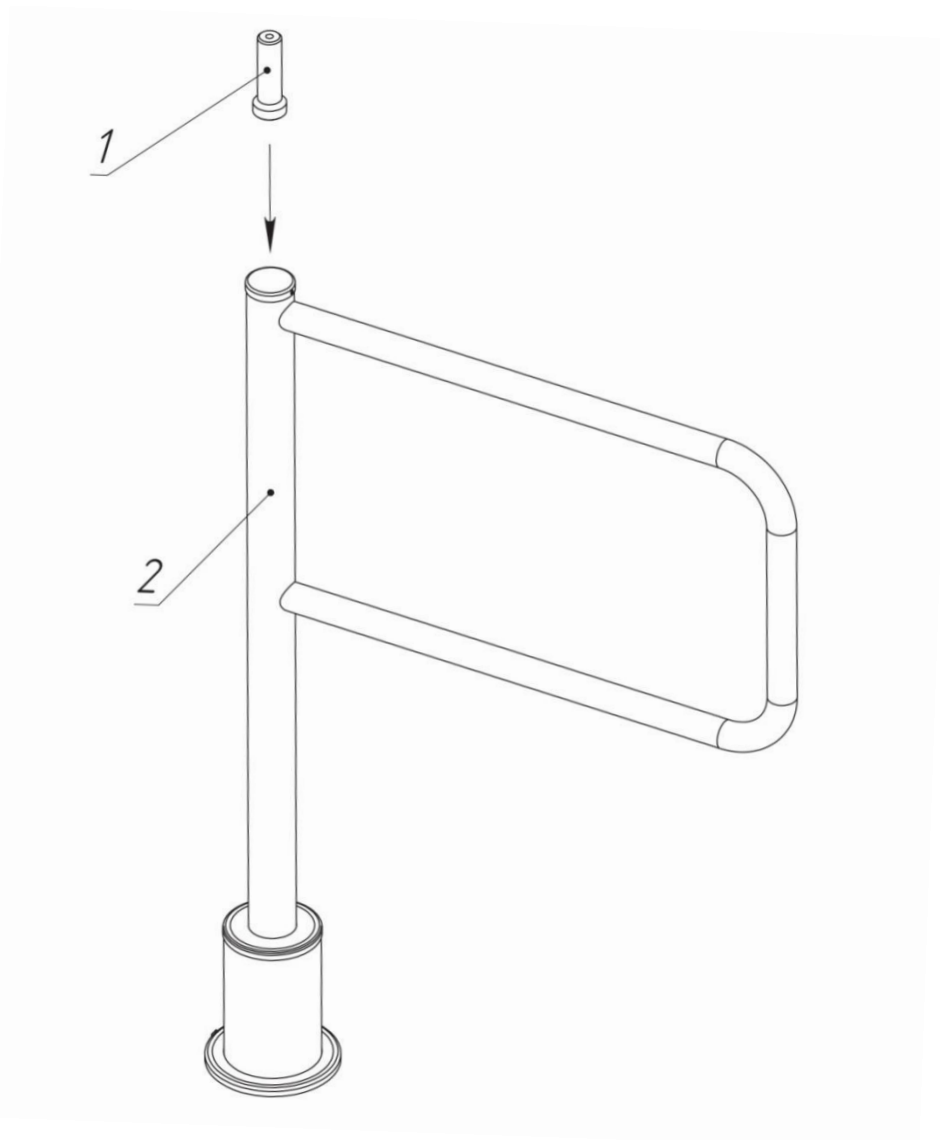


Fig. 4 Unlocking the gate

ООО "Vozrozhdenie"
192289 Saint Petersburg
Sofiyskaya st., 66
Tel./fax +7 (812) 366 15 94
www.oxgard.com
info@oxgard.com

